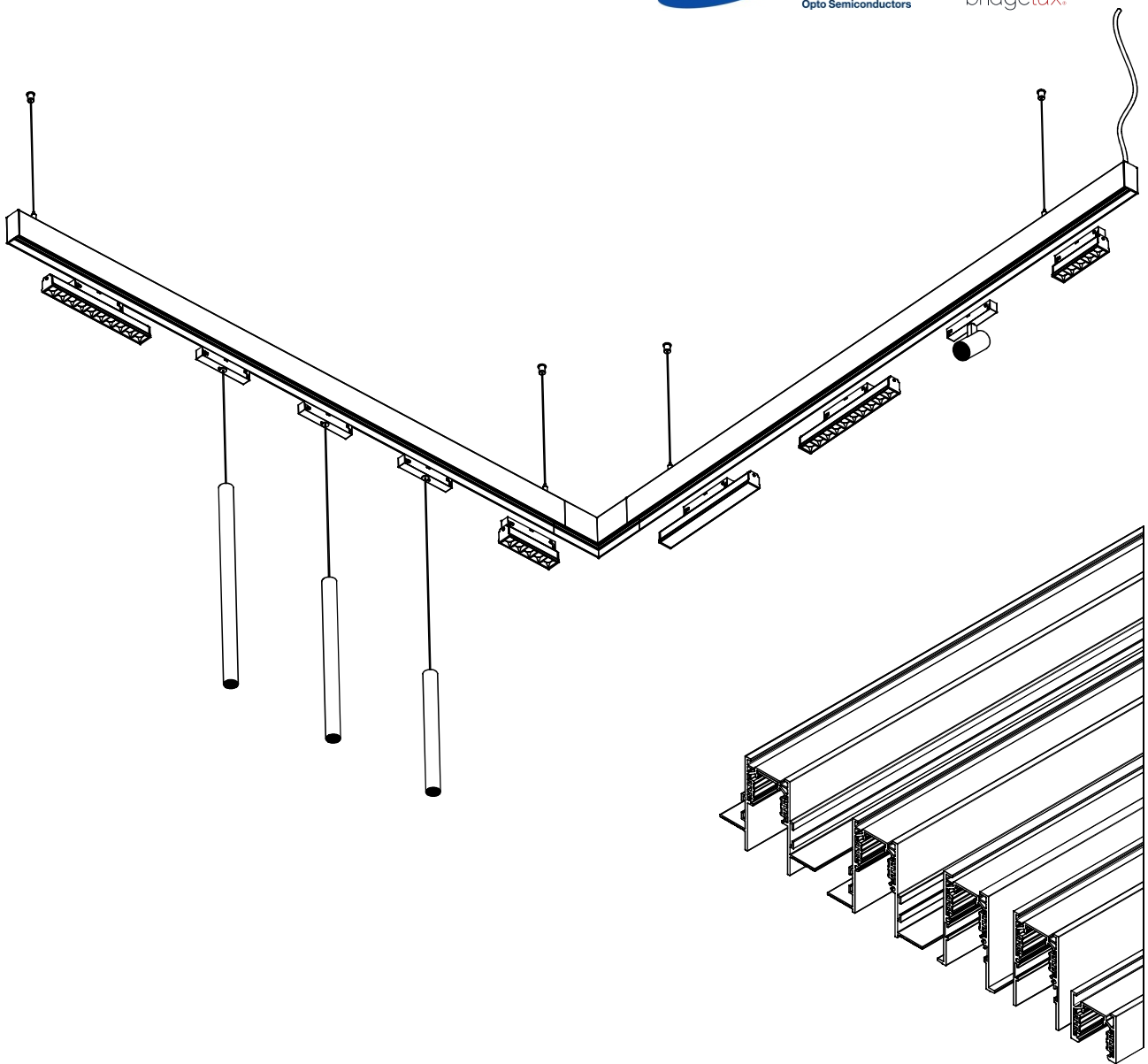


M20 MAGNET TRACK LIGHTING SYSTEM



Model No.: M4***

M20 Magnet Track (Standard)

Model No.: MT4***

M20 Magnet Track (Multi-function)

Model No.: EMT4***

M20 Magnet Trimless Recessed Track (Inside)

Model No.: RMT4***

M20 Magnet Trimless Recessed Track (Outside)

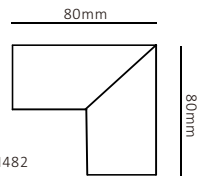
Model No.: CMT4***

M20 Magnet Recessed Track

M20 Magnet Track Connector (Standard)



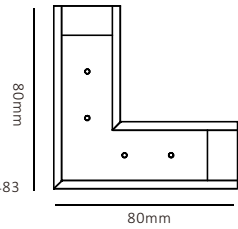
Model No.: M482



"L" Connector (Vertical Direction)



Model No.: M483

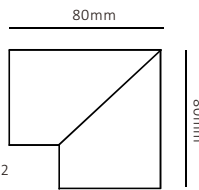


"L" Connector (Horizontal Direction)

M20 Magnet Track Connector (Multi-function)



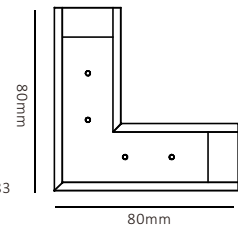
Model No.: MT482



"L" Connector (Vertical Direction)



Model No.: MT483

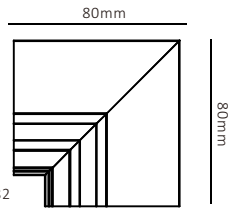


"L" Connector (Horizontal Direction)

M20 Magnet Track Connector (Trimless Recessed)



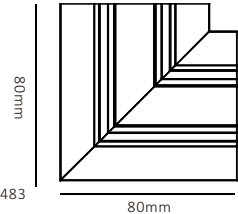
Model No.: EMT482



"L" Connector (Vertical Direction)



Model No.: EMT483

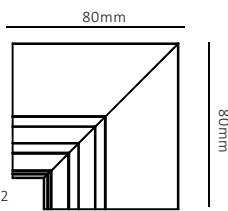


"L" Connector (Horizontal Direction)

M20 Magnet Track Connector (Trimless Recessed)



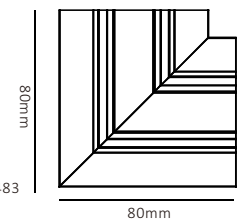
Model No.: RMT482



"L" Connector (Vertical Direction)



Model No.: M483

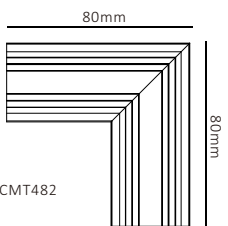


"L" Connector (Horizontal Direction)

M20 Magnet Track Connector (Trimless Recessed)



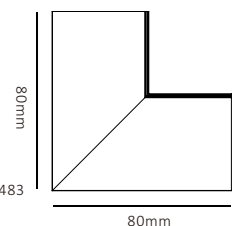
Model No.: CMT482



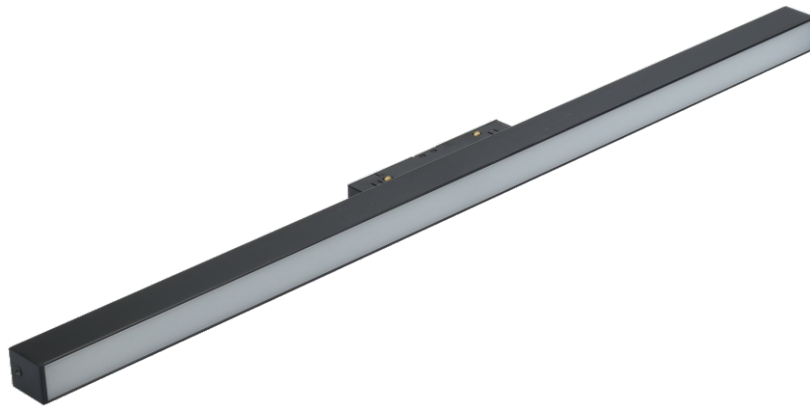
"L" Connector (Vertical Direction)



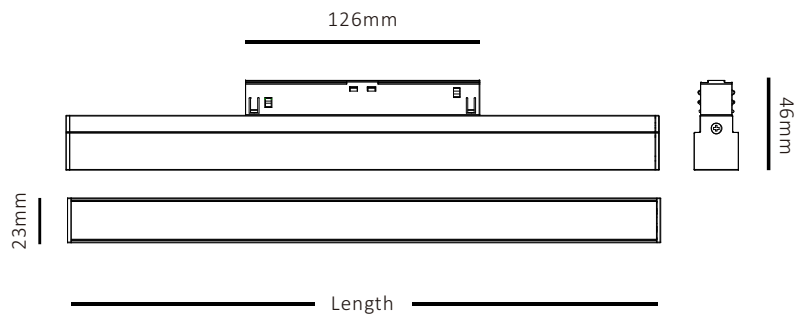
Model No.: CMT483



"L" Connector (Horizontal Direction)



Product Dimension



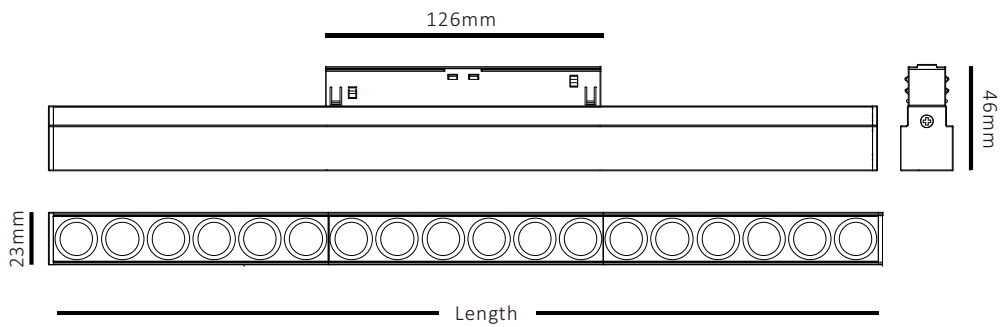
Product parameters

Model No.	Length(mm)	Power(W)	Lumen
MS20-300	300mm	12W	1140lm
MS20-500	500mm	18W	1710lm
MS20-600	600mm	24W	2280lm
MS20-900	900mm	36W	3420lm

- Voltage: 24V/48V dc
- Beam Angle: 105°
- LED Source: OSRAM /SAMSUNG SMD
- CCT: 2700K 3000K 4000K 5000K 6500K
- Ra /CRI: >90
- SDCM: >3
- Application: Basic light
- Material: Aluminum+PC
- Optics: Frosted PC
- Surface: Sandy Black



Product Dimension



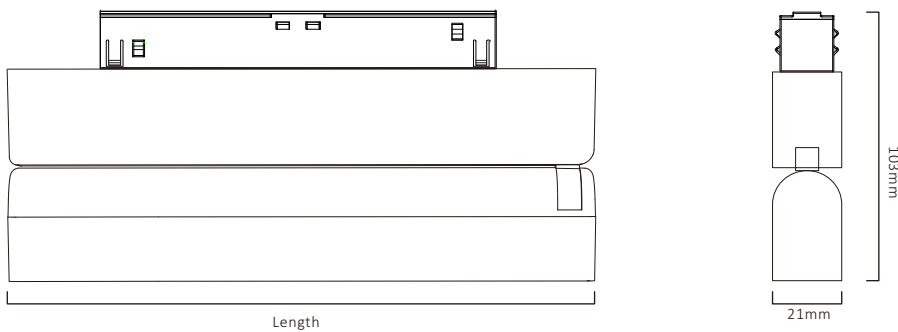
Product parameters

Model No.	Length(mm)	Power(W)	Lumen
MS20-6G	125mm	6W	558lm
MS20-12G	245mm	12W	1116lm
MS20-18G	365mm	18W	1674lm
MS20-24G	485mm	24W	2232lm

- Voltage: 24V/48V dc
- Beam Angle: 24°/50°
- LED Source: OSRAM /SAMSUNG SMD
- CCT: 2700K 3000K 4000K 5000K 6500K
- Ra /CRI: >90
- SDCM: >3
- Application: Focus light
- Material: Aluminum+PC
- Optics: Reflector
- Surface: Sandy Black



Product Dimension



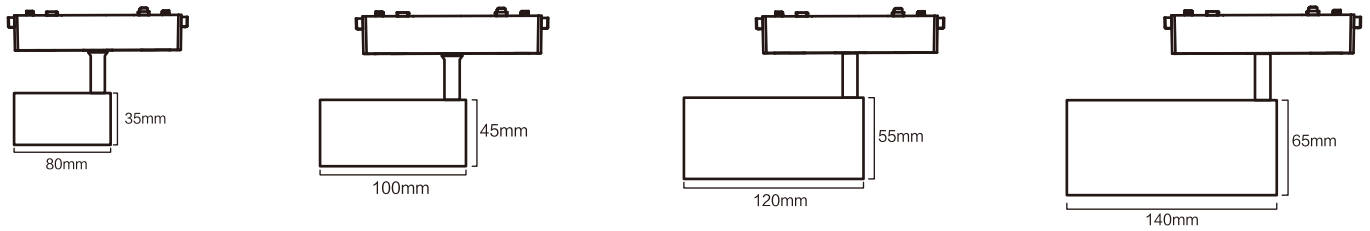
Product parameters

Model No.	Length(mm)	Power(W)	Lumen
MSF20-6G	112mm	6W	558lm
MSF20-12G	218mm	12W	1116lm
MSF20-18G	316mm	18W	1674lm

- Voltage: 24V/48V dc
- Beam Angle: 24°/50°
- LED Source: OSRAM /SAMSUNG SMD
- CCT: 2700K 3000K 4000K 5000K 6500K
- Ra /CRI: >90
- SDCM: >3
- Application: Focus light
- Material: Aluminum+PC
- Optics: Reflector
- Surface: Sandy Black



Product Dimension



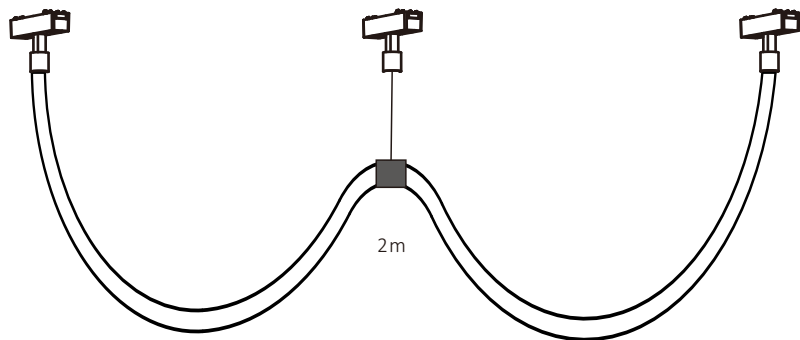
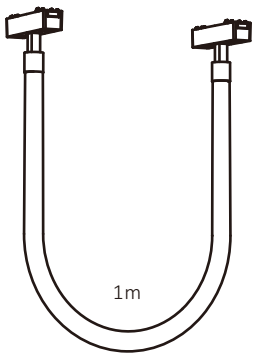
Product parameters

Model No.	Length(mm)	Power(W)	Lumen
MSL20-6G	∅35×80mm	6W	570lm
MS20-12G	∅45×100mm	12W	1140lm
MS20-18G	∅55×120mm	18W	1710lm
MS20-24G	∅65×140mm	24W	2280lm

- Voltage: 24V/48V dc
- Beam Angle: 24°/36°
- LED Source: OSRAM /SAMSUNG SMD
- CCT: 2700K 3000K 4000K 5000K 6500K
- Ra /CRI: >90
- SDCM: >3
- Application: Focus light
- Material: Aluminum
- Optics: lens
- Surface: Sandy Black



Product Dimension



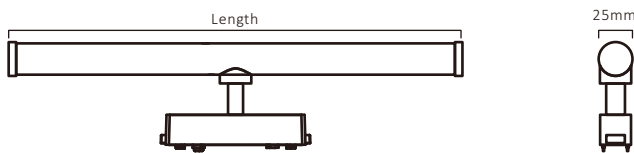
Product parameters

Model No.	Length(mm)	Power(W)	Lumen
MSN20-50	500mm	10W	730lm
MSN20-100	1000mm	20W	1460lm
MSN20-200	2000mm	40W	2920lm
MSN20-300	4000mm	80W	5840lm

- Voltage: 24V/48V dc
- Beam Angle: 360°
- LED Source: San'an
- CCT: 2700K 3000K 4000K 6500K
- Ra /CRI: >90
- SDCM: >5
- Application: Basic light (Can make various shapes)
- Material: Silicone
- Optics: /
- Surface: White



Product Dimension

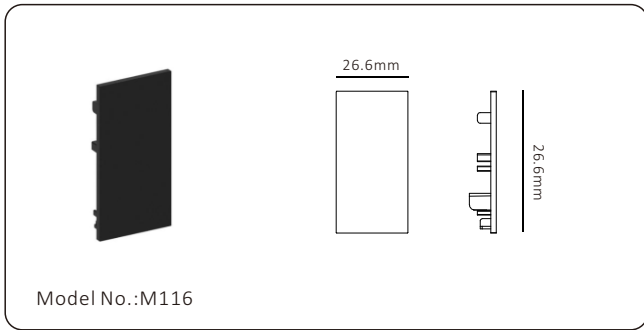


Product parameters

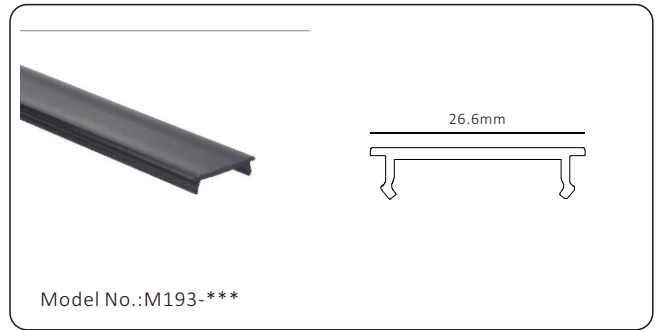
Model No.	Length(mm)	Power(W)	Lumen
MSN20-30L	300mm	6W	438lm
MSN20-50L	500mm	10W	730lm
MSN20-60L	600mm	12W	876lm
MSN20-90L	900mm	18W	1314lm

- Voltage: 24V/48V dc
- Beam Angle: 360°
- LED Source: San'an
- CCT: 2700K 3000K 4000K 5000K 6500K
- Ra /CRI: >90
- SDCM: >5
- Application: Basic light
- Material: PC+Silicone
- Optics: /
- Surface: White

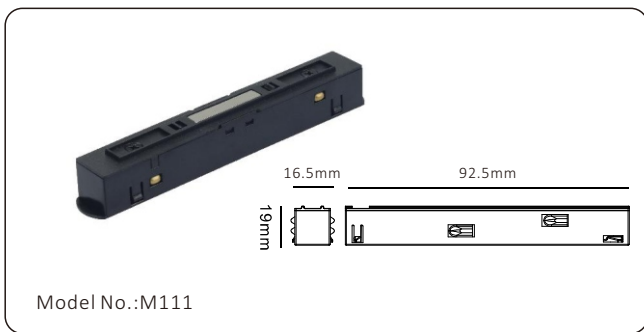
End cap



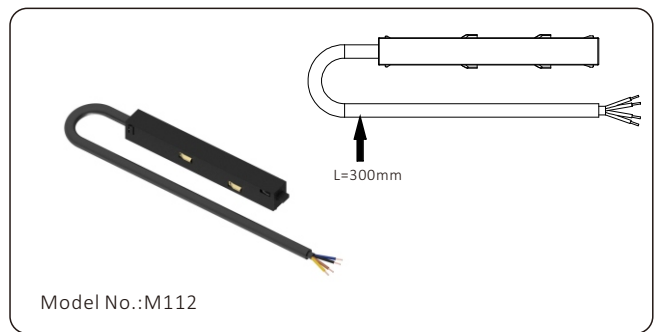
Dust cover



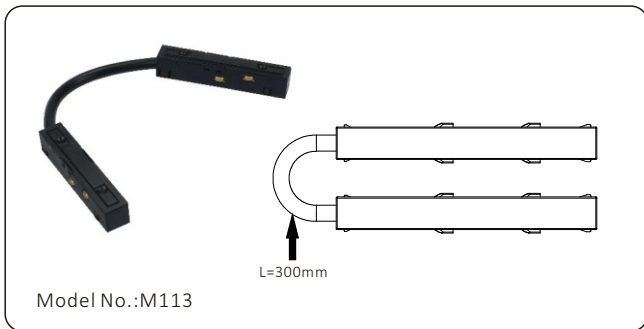
Power connector



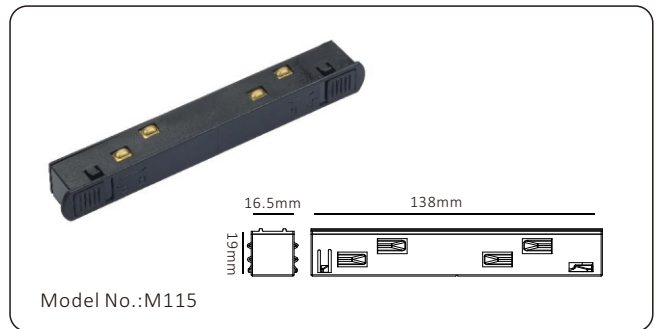
Power connector (With cord)



Double headed joinder connector



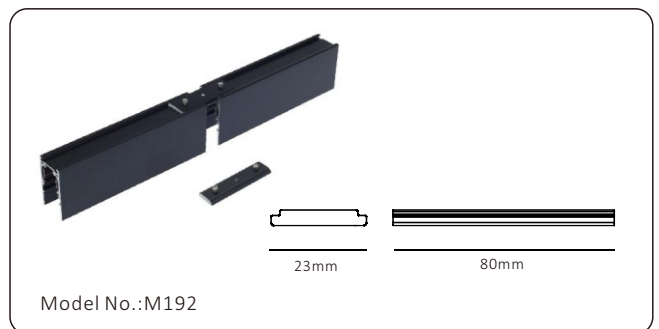
Straight joinder connector



Suspension Kits

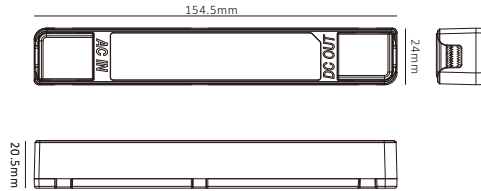


Reinforcement Bracket



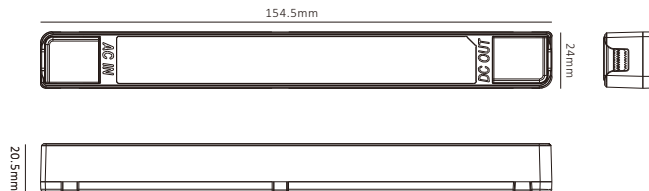
30W Power supply

Input: 220~240VAC
Output: 24V 1.25A/48V 0.625A dc



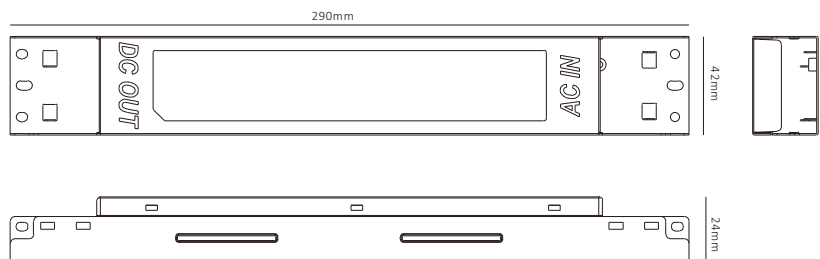
60W Power supply

Input: 220~240VAC
Output: 24V 2.5A/48V 1.25A dc



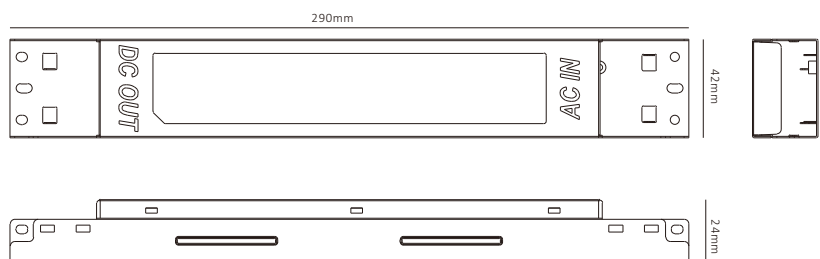
120W Power supply

Input: 220~240VAC
Output: 24V 5A/48V 2.5A dc



240W Power supply

Input: 220~240VAC
Output: 24V 10A/48V 5A dc



Up-energy ———

***LED Strip
Manufacture
Since 2012***

Shenzhen Up-energy Lighting Co., Ltd



No. 7 Paibang Road, Silian Community, Henggang Street, Longgang District,
Shenzhen, 518115, China



OUR EMAIL
export@up-energy.net



OUR PHONE
Tel: 0755-81717949



OUR WEBSITE
www.up-energy.net